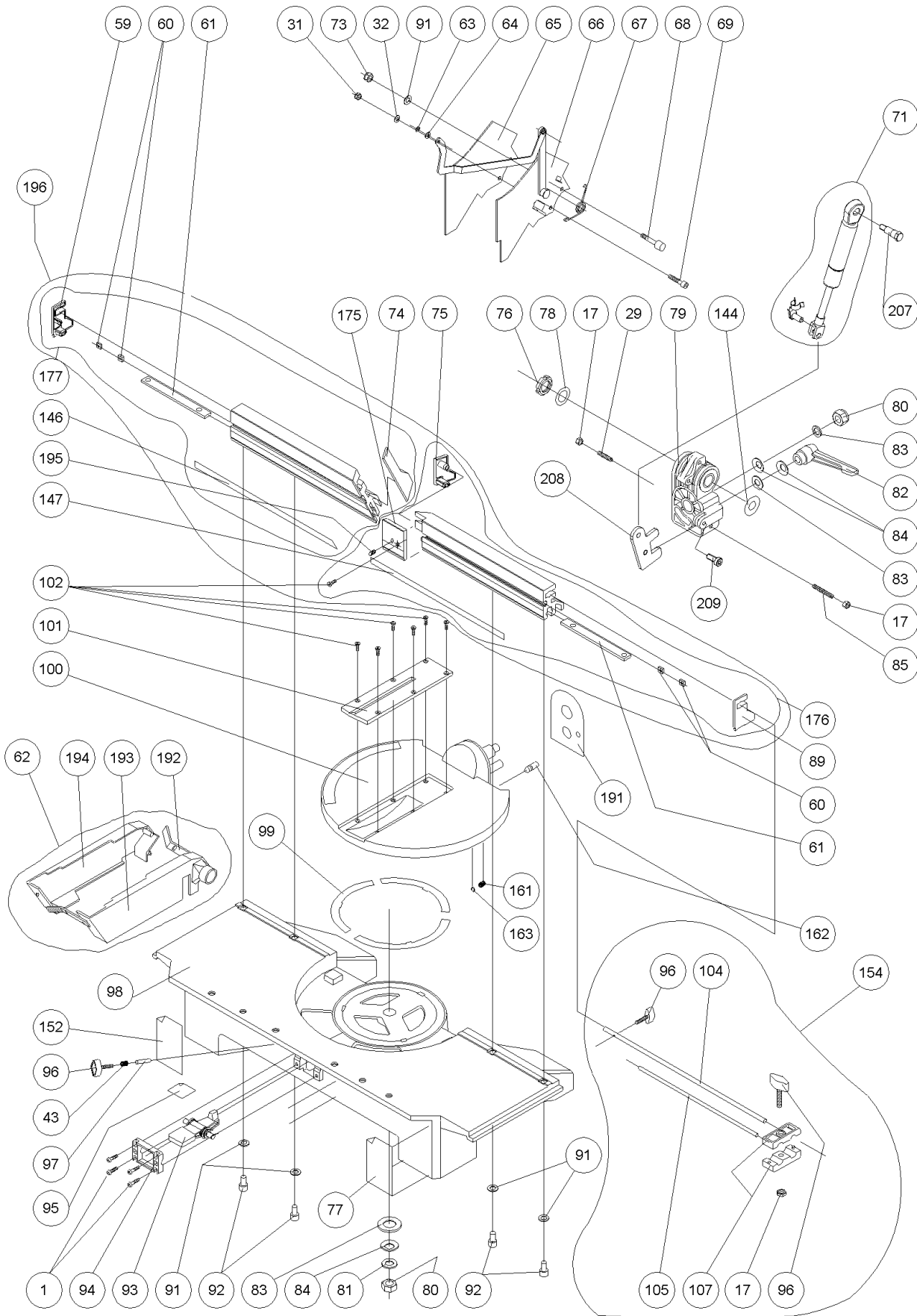




Technical Information  
Explosion Drawings and Parts List

MITRE SAW TM72C/TS72C/TM73C/TS73C BASE ASS'Y TM72C/TS72C/TM73C/TS





**Technical Information**  
Explosion Drawings and Parts List

**MITRE SAW TM72C/TS72C/TM73C/TS73C BASE ASS'Y TM72C/TS72C/TM73C/TS**

Pos. Ref.	Description	Pos. Ref.	Description
1	7278006 SCREW M.5X20 PH.	194	7202242 LOWER PROTECTION (LEFT)
17	2085002 HEX. NUT M.6	195	5275049 HEX. SOCKET SET SCREW M.5X6
29	7275065 HEX. SOCKET SET SCREW M.6X25	196	7245257 FENCE ASS'Y
31	1685017 SELF-LOCKING HEX. NUT M.6	207	7222439 BOLT
32	2080002 WASHER D.6.4X12.2X0.8	208	7223489 SUPPORT
43	7226067 SPRING	209	8475083 SCREW M.6X15
59	7203058 COVER		
60	1685018 SQUARE NUT M.4		
61	7223124 FIXING PLATE		
62	7245229 LOWER PROTECTION WITH DUST COLLECTION		
63	9588003 RETAINING RING D.4		
64	2280004 WASHER D.5.2X11.1X0.7		
65	7234007 PROTECTOR		
66	7246090 PROTECTOR AND LEVER ASS'Y		
67	7226054 SPRING		
68	7229022 STOPPER		
69	7575008 HEX. SOCKET HD. CAP SCREW M.6X25		
71	7245656 BUFFER ASS'Y		
73	1185003 HEX. NUT M.8		
74	7203060 COVER		
75	7203059 COVER		
76	7285022 NUT M.20X1		
77	7219132 RIGHT LABEL		
78	7234015 WASHER		
79	7245533 HINGE WITH BUSHINGS		
80	7285023 NUT M.12X125		
81	4480028 WASHER D.12.1X20X1		
82	7299071 HANDLE		
83	4424004 WASHER		
84	7283012 WASHER D.12.2XD.25X1.5		
85	7275060 HEX. SOCKET SET SCREW M.6X35		
89	7203057 COVER		
91	4383008 WASHER AET D.8.4		
92	4875046 HEX. SOCKET HD CAP SCREW M.8X25		
93	7246095 BLOCKING LEVER		
94	7203049 CLAMP		
95	7219038 LABEL		
96	1025104 KNOB M 6X25 mm (CG)		
97	7229004 EXTENSION		
98	7207038 BASE		
99	7234011 SUPPORT PLATE		
100	7207039 DISC		
101	7203045 COVER		
102	7278007 SCREW M.4X12 PH.		
104	7221020 GUIDE		
105	3322158 STOPPER		
107	3302196 BRACKET		
144	7234010 WASHER		
146	7219008 LABEL		
147	7219010 LABEL		
152	7219133 LEFT LABEL		
154	7246088 STOPPER		
161	7226070 SPRING		
162	7229023 BLOCK		
163	1588017 RETAINING RING N-7		
175	7202175 RIGHT FENCE PROTECTOR		
176	7246161 RIGHT FENCE ASS'Y		
177	7246162 LEFT FENCE ASS'Y		
191	7223153 SLIDING PLATE		
192	7202245 CLIP		
193	7202241 LOWER PROTECTION (RIGHT)		