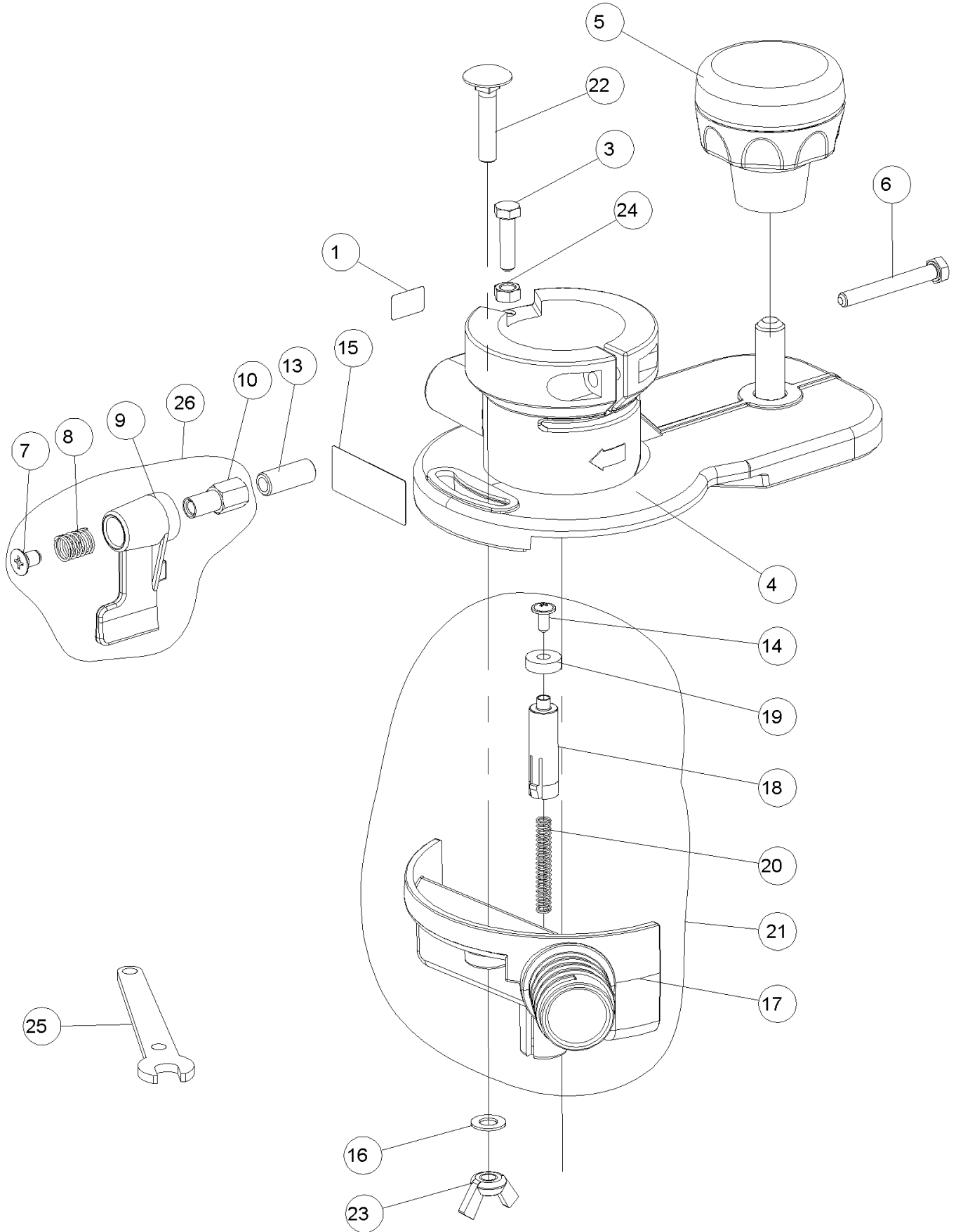




HEAD CA56G (Version D)





Technical Information
Explosion Drawings and Parts List

HEAD CA56G (Version D)

Pos. Ref.	Description	Pos. Ref.	Description
1	5619163	MILIMETERED GAUGE	
3	5622139	REGULATING SCREW	
4	5645729	HEAD BASE ASS'Y	
5	6525027	REGULATING KNOB	
6	5671031	HEX. SCREW M.5X40	
7	6673010	FLAT HD. SCREW M.5X8 PH.	
8	1426051	SPRING	
9	9502649	LEVER	
10	1422520	RIGHT NUT	
13	5622183	SPACER	
14	2079011	SCREW D.3.6X8 CL89Z	
15	2419151	LABLE	
16	4380014	WASHER D.6.3X11.8X0.8	
17	5602500	NOZZLE	
18	5602528	BRAKE PIVOT	
19	5604235	WASHER	
20	5626163	SPRING	
21	5645626	NOZZLE WITH BRAKE ASS'Y	
22	5674026	SCREW M 6X30 DIN 603	
23	7089007	WING NUT M-6	
24	6685032	NUT M.5	
25	5323141	WRENCH 8 mm	
26	7945824	RIGHT LEVER ASS'Y	